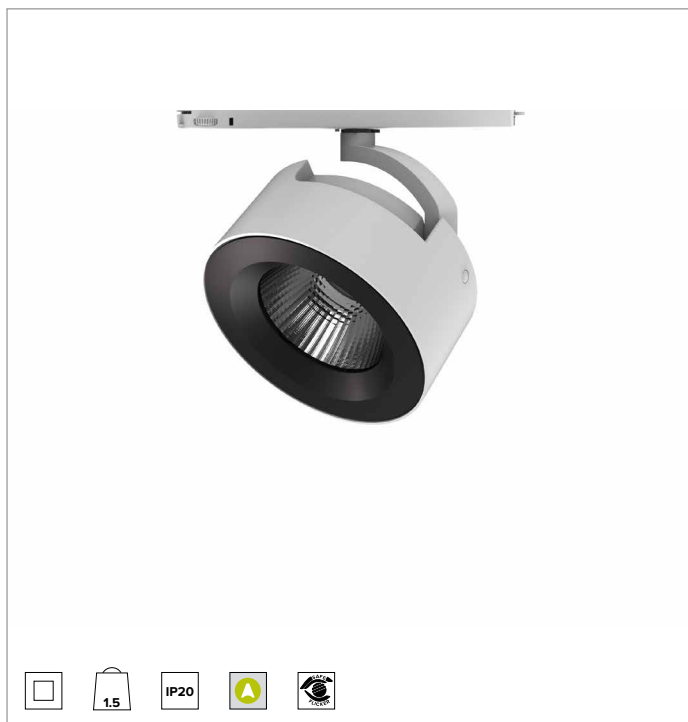
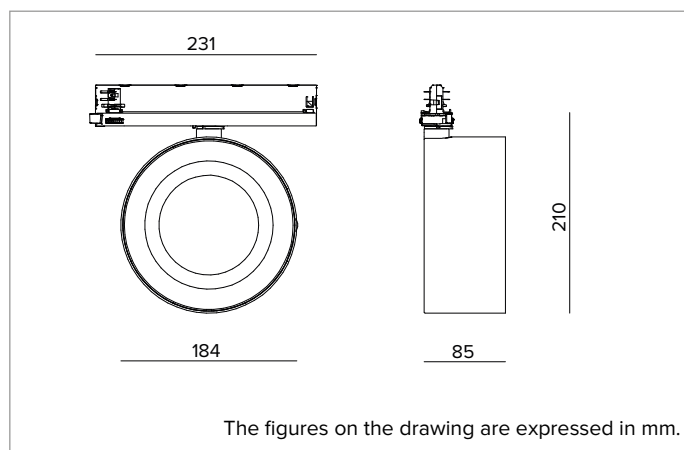


## T037FLR940CAPW | ZENO 180

### Professional adjustable LED projector



	4000K	H(m)	D(m)	Emax(lx)		
	Ra90		38°			
	Fixture Power	42W	1	0.69	7321	
	Source Flux	5213lm	2	1.38	1830	
	Fixture Flux	4275lm	3	2.07	813	
	Efficacy	103lm/W	4	2.76	458	
TS1230	Imax=1417cd/klm	Imax	7389cd	5	3.44	293



#### SOURCE

High efficiency Chip on Board LED Ra90. Ra97 on request.

**Energy efficiency class:** E

**Nominal power:** 36W

**Nominal flux:** 5213lm

**Colour rendering index:** 90

**Rf:** 90

**Rg:** 98

**CCT nominal:** 4000K

**Lifetime (L80/B10):** >50000h tq +25°C

#### ILLUMINOTECHNICAL CHARACTERISTICS

Flood version with convex faceted highly reflective anodised aluminium precision optics and a PMMA holographic screen.

**Optic:** REFLECTOR

**Beam angles:** FL

**Optical efficiency:** 82%

**Fixture flux:** 4275lm

**Luminous efficacy:** 103lm/W

**Photobiological safety:** Compliant with RG1 low risk group

#### MECHANICAL CHARACTERISTICS

Die-cast painted aluminium optical unit. The optical unit can be adjusted from 0 to -90° on the vertical plane; and 355° on the horizontal plane with aiming blocking system.

**Colour and finish:** Plaster white

**Weight:** 1.5Kg

**Degree of protection:** IP20

#### ELECTRICAL CHARACTERISTICS

CASAMBI electronic driver integrated into the track adapter.

**Fixture Power:** 42W

**Power supply:** 220-240Vac 50/60Hz

**Insulation Class:** CLASS 2

**Type of driver / Control:** CASAMBI

**Driver included:** YES

**Class F:** YES

**SAFE FLICKER:** PstLM=<1 and SVM=<0.4 (IEC TR 61547-1 and IEC TR 63158), to ensure a more comfortable and safe light

**Ambient temperature:** 0°C / +25°C

#### INSTALLATION

Electrified track mounting. Mechanical and optic accessories available, to be installed with holder ring (necessary).

#### NOTES

110-277Vac version available on request. Commissioning of the control system via free APP; the intervention of a specialist technician can be quoted on request.

#### WARRANTY

5 years.

#### WARNING

Luminaire designed for disposal/recycling at end-of-life. Replaceable (LED only) light source by a professional. Replaceable control gear by a professional.

*Due to the technological evolution of the electronic components, the data provided may be updated, and as such, confirmation must be requested during the order process.*

*Luminous flux and power supply have +/-10% tolerances with respect to the indicated value. tq +25°C (CIE 121).*

*We reserve the right to make technical changes.*

Targetti Sankey S.r.l.  
Via Pratese, 164  
50145 Firenze - Italy  
Tel: +39 055 37911  
targetti.com  
targetti@targetti.com

CCIAA Firenze  
Share Capital:  
€ 500.000,00  
VAT N. (IT):  
01537660480  
R.E.A: FI-275656

**TARGETTI**

**T037FLR940CAPW | ZENO 180**  
Professional adjustable LED projector

**Accessories**

**Filter**



Code

**1T6054**

Blade of light filter.  
Methacrylate holographic filter.  
This makes the beam take on an oval shape and when combined with spotlights, the light blade appears more prominent.  
To be completed with a dedicated holder ring.  
It cannot be used with NSP and Wall Washer optics.

**Grid**



Colour

Code



**1T6055**

Anti-glare louver.  
Black lacquered aluminium honeycomb structure.  
To be completed with a dedicated holder ring.  
It cannot be used with NSP and Wall Washer optics.

**Cut-off**



Colour

Code



**1T6056**

Black painted steel cut-off.  
To be completed with a dedicated holder ring.  
It cannot be used with NSP and Wall Washer optics.



Colour

Code



**1T6057**

Black painted steel asymmetric cut-off.  
To be completed with a dedicated holder ring.  
It cannot be used with NSP and Wall Washer optics.

**Ray Shade**



Colour

Code



**1T6058**

Adjustable barn doors flaps made of black painted steel.  
To be completed with a dedicated holder ring.  
They cannot be used with NSP and Wall Washer optics.

**Holder Ring**



Colour

Code



**1T6053**

Black painted aluminium accessory holder ring.

Due to the technological evolution of the electronic components, the data provided may be updated, and as such, confirmation must be requested during the order process.  
Luminous flux and power supply have +/-10% tolerances with respect to the indicated value. tq +25°C (CIE 121).

We reserve the right to make technical changes.

Targetti Sankey S.r.l.  
Via Pratese, 164  
50145 Firenze - Italy  
Tel: +39 055 37911  
targetti.com  
targetti@targetti.com

CCIAA Firenze  
Share Capital:  
€ 500.000,00  
VAT N. (IT):  
01537660480  
R.E.A.: FI-275656

